



The new table top homogenizer
Atomo 3.0
the compact three plungers lab homogenizer for reliable scale up from test to production also abrasive and viscous product

Now also available in Atex configuration
Powered By Interpump Group

MODEL TABLE* | MAXIMUM CAPACITY** | PRESSURE

| MODELS | POWER kW | PRESSURE bar | 600 | 1000 | 1500 |
|-----------|----------|--------------|-----|------|------|
| ATOMO 3.0 | 4 | CAPACITY l/h | 200 | 100 | 30 |

*Values referring to machines with fixed capacity

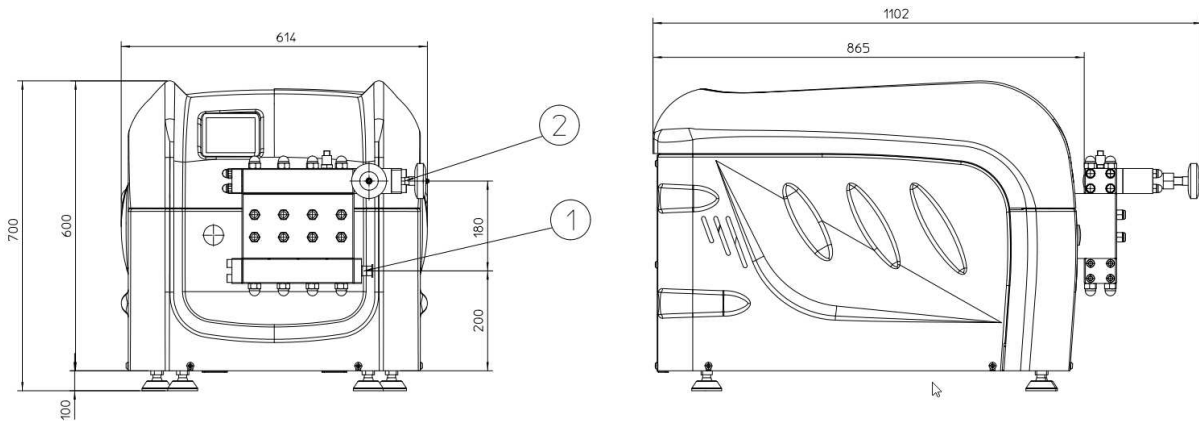
**Values referring to products with a max viscosity of 500Cp and feeding pump

TECHNICAL DATA

| | |
|----------------------------------|---------------------------|
| Plunger number | 3 |
| Weight (Kg) | 180 |
| Water consumption (l/h) | 30 |
| Lubrication oil quantity (kg) | (SAE 85W-90) 2 |
| Connections product inlet/outlet | Welding flanges DIN 11851 |

Design according to MACHINE DIRECTIVES and the HARMONIZED EUROPEAN STANDARD in force.





FEATURES

- Three plungers table top homogenizer
- Super duplex (SAF2507) multi block compression head
- Tungsten carbide pumping plungers
- Pumping group with tungsten carbide seat and stellite balls
- Double stage homogenizing group handwheel regulated with tungsten carbide homogenizing valves
- Direct Drive System
- Splash lubrication system
- Die cast aluminium crankcase and nitridized crankshaft
- Micro PLC control panel, prearranged for remote control
- Standard 1 liter feeding hopper for 1500 bar version

MAIN OPTIONS

Aseptic execution

- Sterile water generator by means of steam condenser
- Patent pending sterile water generator by means of Microfiltration

3A, EHEDG compliant and PHARMA design

- Low roughness and electropolished wettables
- Certification manual for cGMP

Ceramic homogenizing valve, pistons and ball valves

External power board for variable capacity

Inlet and outlet connections

- DIN 11851, Tri Clamp, SMS
- High pressure outlet
- On special request

Explosion proof design - Stainless steel frame

Sound proof design

Vibration and temperature monitoring and alarm

Skid Version with feeding system and temperature control

Vibration and temperature monitoring and alarm



***Technical specifications are not mandatory and subject to change without notice.

REV2-10/19-EN

